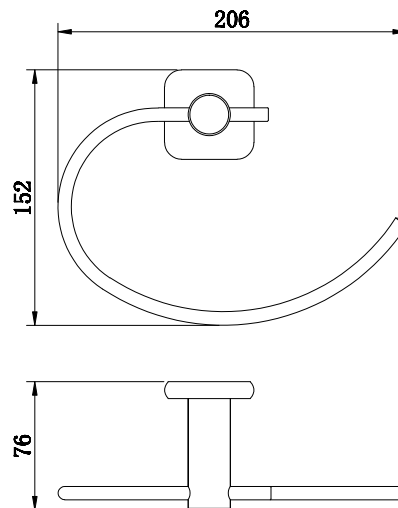


eluxe®

US1201322

Tissue holder



Draw not to scale

Item No:	US1201322
Available Color:	Black
Material:	SUS304
Number:	0018900

Eluxe reserves the right to change without notice

<http://eluxe-worldwide.com/>

PRODUCT SPECIFICATION